

see what Delta can do<sup>SM</sup>

## BATHROOM FAUCET

- Trinsic<sup>®</sup> Bath Collection
- Single Handle Deck Mount

### FEATURES:

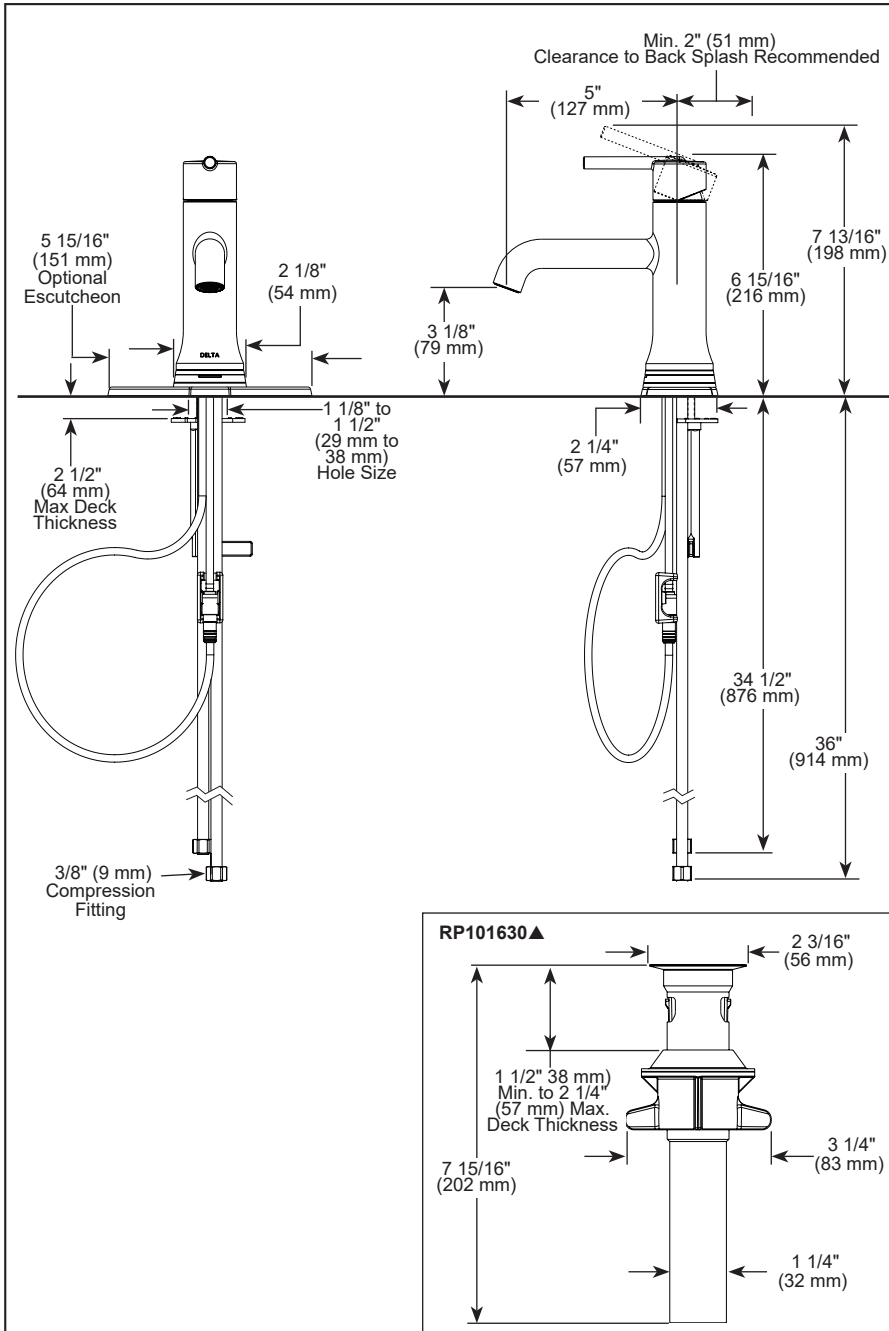
- DIAMOND Seal<sup>®</sup> Technology
- Touch<sub>2</sub>O<sup>®</sup> with Touchless Technology
- 2 modes available: Touch<sub>2</sub>O<sup>®</sup> with Touchless and Touch<sub>2</sub>O<sup>®</sup> only
- TempSense<sup>®</sup> Technology

### STANDARD SPECIFICATIONS:

- Max. flow rate 1.2 gpm @ 60 psi, 4.5 L/min @ 414 kPa
- One or three-hole mount (escutcheon included)
- Diamond coated ceramic cartridge
- 1/4" O.D. straight, staggered PEX supply lines
- LED indicator light signals on-off, water temperature and when batteries run low
- Touch<sub>2</sub>O<sup>®</sup> mode only works best for metal sink or where the sensitivity is too high
- Modes easily changed from above the sink
- Uses 6 AA (included) or 6 C (optional) batteries
- EP102157 optional 110-120V AC adapter available (3 prong grounded outlet required)
- Models have metal drain with push pop-up type fitting with plated flange and stopper, no lift rod hole
- Optional red/blue indicator ring provided with model

### WARRANTY

- Parts and Finish - Lifetime limited warranty; or for commercial purchasers, 10 years for multi-family residential (apartments and condominiums) and 5 years for all other commercial uses, in each case from the date the product is received by the original purchaser or their authorized representative (installation contractor, etc.).
- Electronic Parts and Batteries (if applicable) - 5 years from the date the product is received by the original purchaser or their authorized representative (installation contractor, etc.); or for commercial purchasers, 1 year from the date the product is received by the original purchaser or their authorized representative (installation contractor, etc.). No warranty is provided on batteries.
- Please go to [www.deltafaucet.com](http://www.deltafaucet.com) for the complete details of our limited warranty.



▲ Designate Proper Finish Suffix



### COMPLIES WITH:

- ASME A112.18.1 / CSA B125.1
- ASME A112.18.2 / CSA B125.2
- EPA WaterSense<sup>®</sup>
- ICC/ANSI A117.1

Delta Faucet Company reserves the right (1) to make changes in specifications and materials, and (2) to change or discontinue models, both without notice or obligation. Dimensions are for reference only. See current full-line price book or [www.deltafaucet.com](http://www.deltafaucet.com) for finish options and product availability.

DSP-L-559TLF-MPU Rev. B

### Delta Faucet Company

55 E. 111th Street, Carmel, IN 46280  
350 South Edgeware Road, St. Thomas, ON N5P 4L1  
© 2025 Delta Faucet Company